

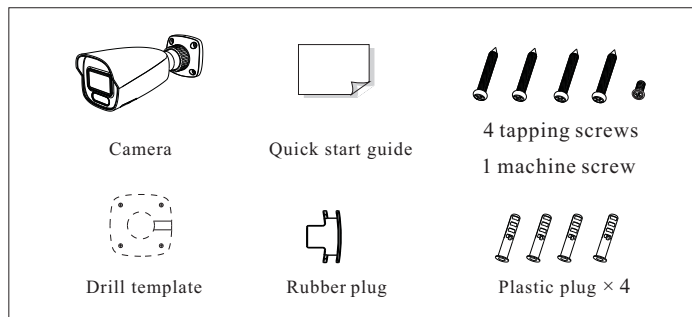
NCT-5MLC-B2 Bullet Camera Quick Start Guide

- Please read these instructions carefully before using the product and keep it for further reference.
- All the examples and pictures used here are for reference only.
- The contents of this manual are subject to change without notice.
- Visit nuvico.com for additional downloads, manuals, and resources.

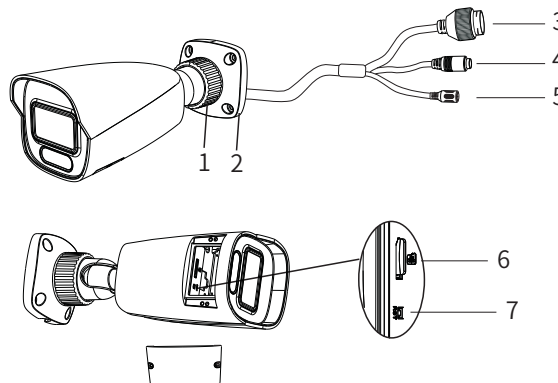
1 Warning and Caution

- If the product does not work properly, please contact your dealer or the nearest service center. Never attempt to disassemble the camera yourself. (We shall not be responsible for any problems caused by unauthorized repair or maintenance.)
- Do not allow water or liquid intrusion into the camera.
- In the use of the product, you must be in strict compliance with the electrical safety regulations of the nation and region. When the product is mounted on wall or ceiling, the device shall be firmly fixed.
- Do not use camera beyond specified voltage range.
- Do not drop the camera or subject it to physical shock.
- Do not directly touch the camera when installing.
- Avoid touching the camera lens.
- If cleaning is necessary, please use clean cloth to wipe it gently.
- Avoid pointing the camera towards the sun or other light sources.
- Do not place the camera in extremely hot, cold (the operating temperature shall be -22°F~140°F), dusty or damp locations, and do not expose it to high electromagnetic radiation.
- To avoid heat accumulation, good ventilation is required for operating environment.

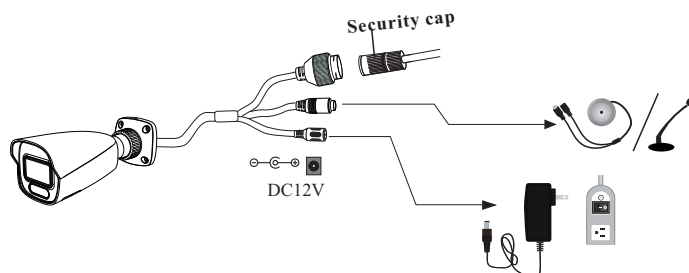
2 Package



3 Overview



- | | |
|----------------------|----------------------|
| 1 Fixed ring | 5 Power connector* |
| 2 Mounting base | 6 Micro SD card slot |
| 3 Network connector* | 7 Reset |
| 4 Audio input | |

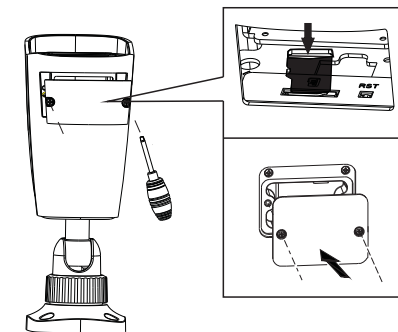


- * 1 It is recommended to install the security cap for outdoor installation.
- * 2 This series can be powered by DC 12V/PoE power supply. If the PoE switch is used to power the camera, DC12V power supply is not required.
- * 3 Press and hold the reset button for more than 10 seconds to restore to the factory default setting.

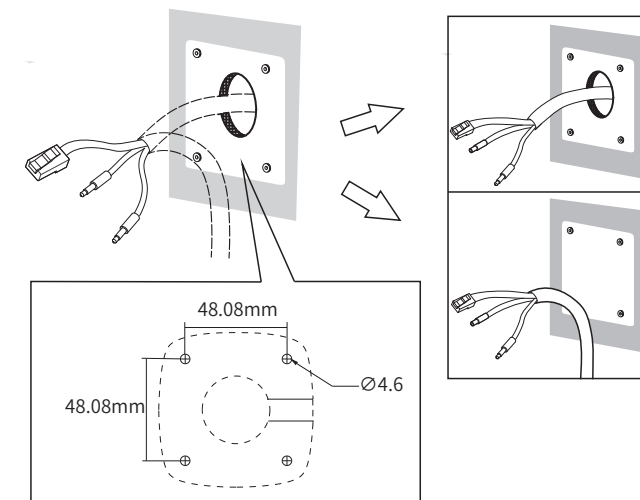
4 Installation

Before you start, please make sure that the wall or ceiling is strong enough to withstand three times the weight of the camera. Please install the camera in a dry environment.

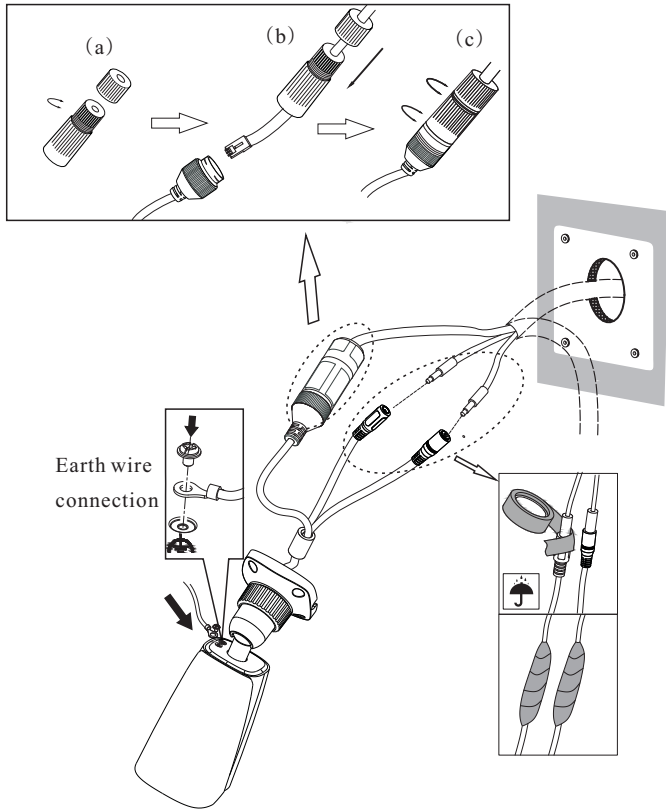
- ① Install a micro SD card.



- ② Drill the screw holes and the cable hole (if you want to route through the ceiling) on the wall or ceiling according to the drill template.



③ Route the cables and connect the relevant cables.

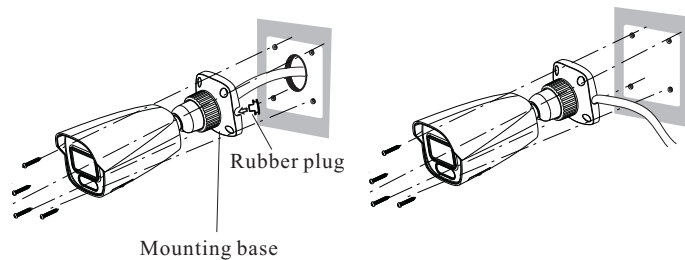


(a). Loosen the nut from the main element.

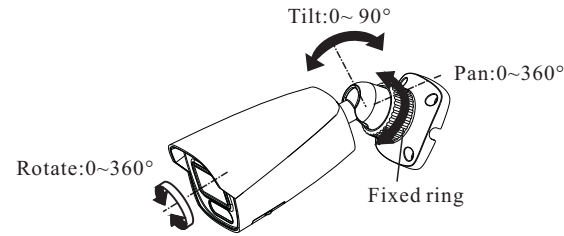
(b). Run the network cable (without RJ45 connector) through the both elements. Then crimp the cable with RJ45 connector.

(c). Connect the cable to the hermetic connector. Then tighten the nut and the main cover.

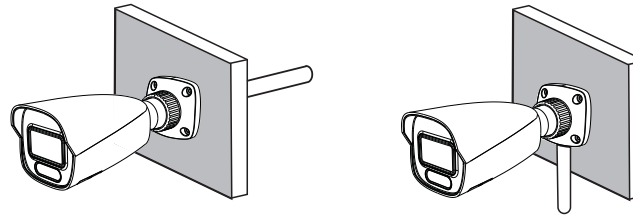
④ Fasten the mounting base to the wall with the screws provided.



⑤ Loosen the fixed ring to adjust the view angle of the camera. Before adjustment, view the image of the camera on a monitor.

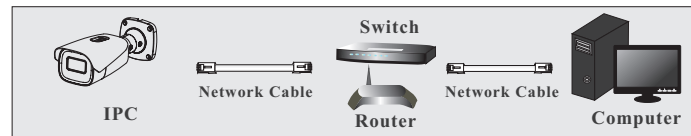


⑥ Tighten the fixed ring to finish the installation.

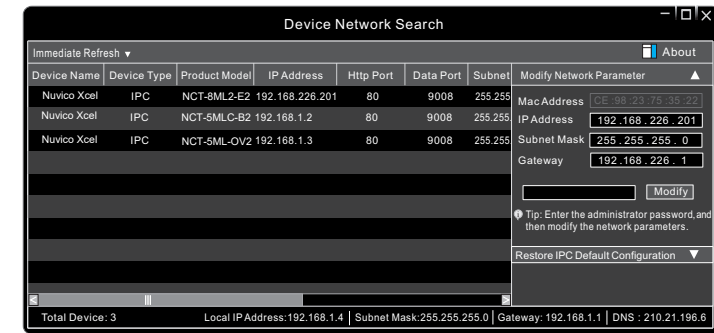


5 Network Connection

• Access Through Xcel IP Utility



- ① Make sure that the camera and the PC are well connected to the LAN.
- ② Download and install Xcel IP Utility from nuvico.com and run it after installation.



③ Double click the camera information listed in the IP-Tool to open the web browser. Or manually enter the default IP address in the address bar of your browser.

The default IP address of this camera is **192.168.226.201**. Then follow directions to download and install the plugin if it is the first time for you to log in.

④ Activate and log in the camera. The default username is **admin**; the default password is **123456** or you need to self-define the password. Please operate according to the actual situation.