

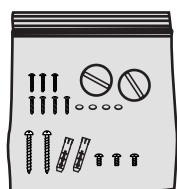
Junction Box I CB-JB2

INSTALLATION MANUAL

FEATURES

The CB-JB2 is compatible with our CT-1M-B21, CT-1M-B55, CT-2M-B21, CT-2M-B55, CB-HDE21N-L, CB-HDE65N-L bullet cameras.

ASSEMBLY ACCESSORIES



Junction Box Cap

Q'ty : 2



Mounting Screws

Q'ty : 2
6 x 50



Q'ty : 7
4 x 16



Q'ty : 3
4 x 10



Plastic Anchors

Q'ty : 2



Rubber Gasket

Q'ty : 4



Weatherproof pad

Q'ty : 1



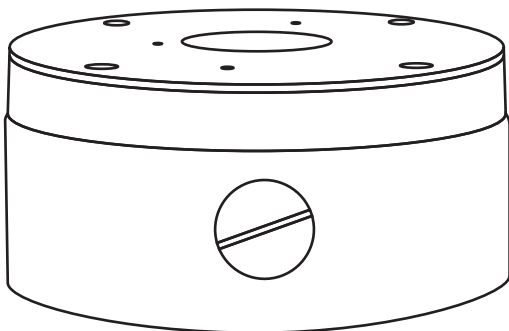
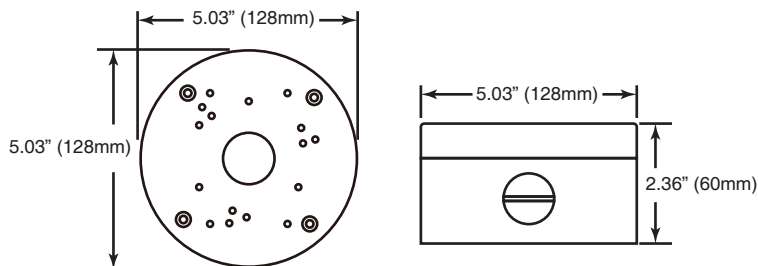
SPECIFICATION

Unit: inches (mm)

Dimension : 5.03"(D) X 2.36"(H) (128mm x 60mm)
Weight : 1.85lbs (842g)

DIMENSIONS

Unit: inches (mm)



MOUNTING ARRANGEMENT

