

Bullet Camera

Day/Night, 600 TV Lines, 30 IR LEDs, Weatherproof Bullet Camera

CB-HD2N-L • CB-HD6N-L

NTSC

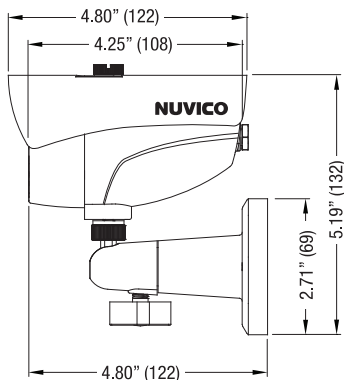
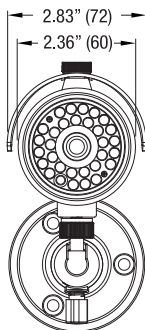
KEY FEATURES

- 1/3" CCD Sensor
- 600 TV Lines
- 2.9mm or 6mm Fixed Lens
- Day/Night Functionality
- 30 IR LEDs
- Smart IR - Automatic Intensity Adjustment
- 0.2 Lux (Color), 0.00 Lux (IR LEDs on)
- 12VDC

DIMENSIONS

UNIT: Inches (mm)

[30 LEDs]



TECHNICAL SPECIFICATIONS

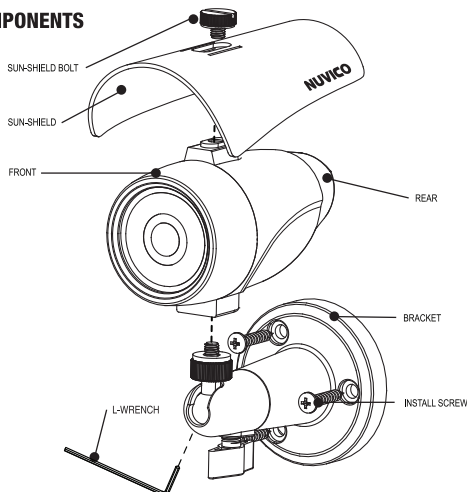
Technical Specifications	CB-HD2N-L	CB-HD6N-L
Video Format	NTSC	
Image Sensor	1/3" CCD	
Horizontal Resolution	600 TV Lines	
Day/Night Functionality	Yes	
Lens Type (DC Auto Iris)	Fixed 2.9mm	Fixed 6mm
Angle of View	120°	58°
IR LEDs	30	30
IR LEDs Distance	Up to 35ft.	Up to 65ft.
LEDs Illumination Angle	80°	60°
Sync System	Internal	
Effective Pixels (HxV)	768(H) x 494(V)	
Scanning System	525 Lines. 2:1 Interlaced	
Electronic Shutter	1/60 ~ 1/120,000 sec.	
Main Video Output	1.0 Vp-p Composite, 75 ohm	
Minimum Illumination	0.2 Lux (Color), 0.00 Lux (IR LEDs on)	
S/N Ratio	More than 48dB (AGC Off)	
White Balance	ATW	
General Information	CB-HD2N-L	CB-HD6N-L
Operating Temperature	23°F ~ 113°F (-5°C ~ +45°C)	
Operating Humidity	Within 90% RH	
Power Consumption	12W (LEDs On), 4W (Camera Only)	
Input Voltage	12VDC	

*Specifications are subject to change without any prior notice.

WARNING

- *Must use specified and regulated 12VDC power supply.
- *Make sure to use power leads already supplied with the camera.
- If cables coming out of the camera are spliced, Warranty will be voided.

MAJOR COMPONENTS



NUVICO®

53 Smith Street, Englewood, NJ 07631-4607 USA
 Phone: 201-541-1605 Toll Free: 866-523-1700 Fax: 201-541-1620
 sales@nuvico.com | export@nuvico.com | www.nuvico.com

NUVICO reserves the right to alter product offers and specification at any time without prior notice.
 Copyright © 2011 NUVICO. All rights reserved.

Version 2.0