

# Analog Bullet Camera CB-HDE21N-L

Specification

Day/Night, 700 TV Lines, 42 IR LEDs, Weatherproof Bullet Camera



## KEY FEATURES:

- 1/3" CCD Sensor
- 700 TV Lines(Color), 750 TV Lines(B/W)
- 2.8~12mm, DC Auto Iris Lens
- Day/Night Functionality with ICR
- 42 IR LEDs
- Smart IR - Automatic Intensity Adjustment
- IR LED On/Off Function
- External Adjustments - Zoom and Focus
- 0.01 Lux (Color), 0.00 Lux (B/W, IR LEDs On)
- DNR: Digital Noise Reduction
- ATW: Automatic Tracking White Balance
- HLC: High Light Compensation
- DWDR: Digital Wide Dynamic Range
- Service Monitor Output
- 12VDC/24VAC Dual Voltage

## CONSTRUCTION:

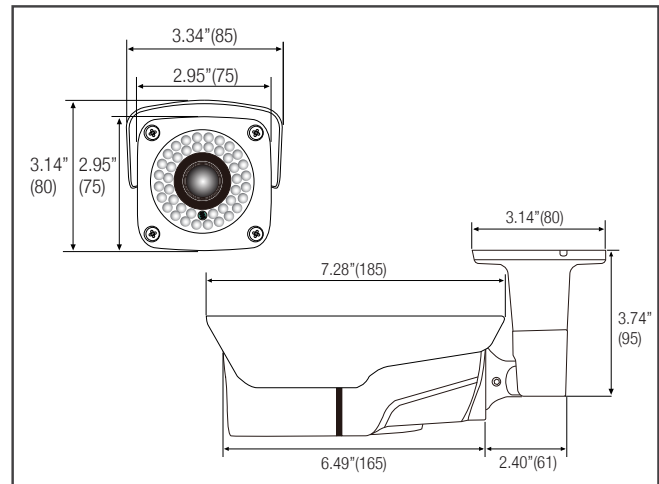
- 3-Axis Bracket (Wire Feed-through)
- Weatherproof Aluminum Housing

## TECHNICAL SPECIFICATION:

Technical Specification	CB-HDE21N-L
Video Format	NTSC
Image Sensor	1/3" CCD
Horizontal Resolution	700 TV Lines, 750 TV Lines(B/W)
Day/Night Functionality	Yes w/ICR
Lens Type (DC Auto Iris)	2.8 ~ 12mm Vari-focal Lens
IR LEDs	42
IR LEDs Distance	Up to 100ft.
LEDs Illumination Angle	81° (W) ~ 23° (T)
Sync System	Internal
Effective Pixels (HxV)	976(H) x 494(V)
Scanning System	525 Lines. 2:1 Interlaced
Electronic Shutter	1/60 ~ 1/100,000 sec.
Main Video Output	1.0 Vp-p Composite, 75 ohm
Service Monitor Output	1.0 Vp-p Composite, 75 ohm
Minimum Illumination	0.2 Lux (Color), 0.00 Lux (IR LEDs on)
S/N Ratio	More than 48dB (AGC Off)
Camera Control	External Adjustments - Zoom and Focus
General Information	<b>CB-HDE21N-L</b>
Operating Temperature	-20°F ~ 122°F (-28°C ~ +50°C)
Operating Humidity	Within 90% RH
Power Consumption	14W/1 Amp (LEDs On), 8W/500mA (Camera Only)
Input Voltage	12VDC/24VAC Dual Voltage

\*Specifications are subject to change without any prior notice.

## DIMENSIONS (INCH:MM):



## ACCESSORIES:

