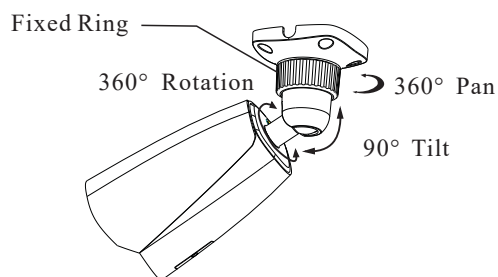
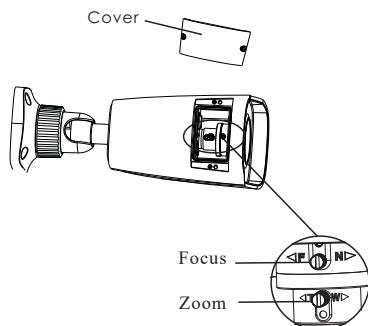


④ Bracket adjustment. Before adjustment, preview the image of the camera on a monitor and then loosen the fixed ring to adjust the view angle of the camera.



⑤ Open the cover of the camera and then adjust Zoom or Focus to obtain an optimum image. Before adjustment, preview the image of the camera on a monitor.

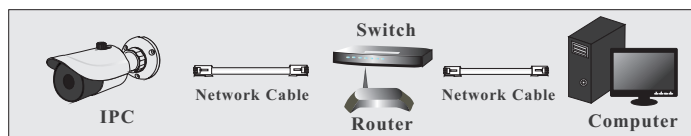
**\*\*If the model you get is fixed lens or motorized zoom lens, please skip step ⑤ and ⑥.**



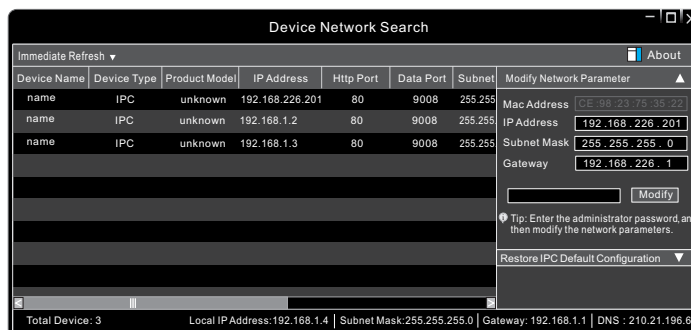
⑥ Install the cover back to the camera and fix it firmly with the screws. (Note that the cover shouldn't be installed unevenly.)

## 5 Network Connection

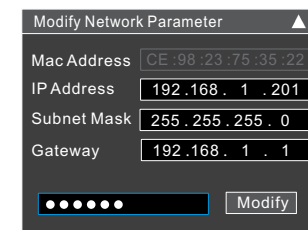
### • Access the camera through Xcel IP Utility



- ① Make sure that the camera and the PC are well connected via LAN.
- ② Find Xcel IP Utility on the CD and then install it in the computer. After that, run the Xcel IP Utility as shown below.



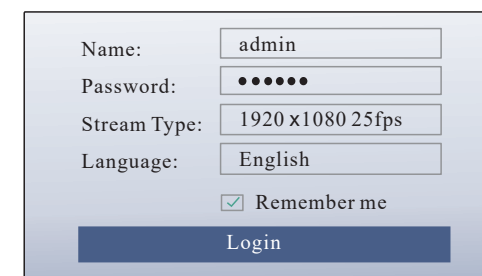
③ Modify the IP address. The default IP address of this camera is 192.168.226.201. Click the information of the camera listed in the above table to show the network information on the right hand. Modify the IP address and gateway of the camera and make sure the network address is in the same local network segment as that of the computer. Please modify the IP address of your device according to the practical situation.



For example, the IP address of your computer is 192.168.1.4. So the IP address of the camera shall be changed to 192.168.1.X and the gateway shall be changed to 192.168.1.1. After modification, please enter the password of the administrator and click “Modify” button to modify the settings.

⚠ The default password of the administrator is “123456”.

- ④ Double-click the camera listed in the Xcel IP Utility or manually enter the IP address in the address bar of the web browser to connect IP Camera. Then follow directions to download and install the plugin.
- ⑤ Enter the username and password in the login interface.



⚠ The default username is *admin*; the default password is *123456*.