

# NUVICO®

## HD-TVI Vandal Dome Camera CT-2M-OV21-FH



### Key Features

- 1/3" CMOS Sensor
- 1080p, HD-TVI
- 2.8~12mm, VF Lens
- Day/Night(ICR)
- 30 IR LEDs
- IR Illumination - up to 50ft.
- OSD Setup Menu
- DWDR / DSS / 3DNR
- DC12V / AC24V
- Service Monitor Out (Analog)
- Built-in Fan/Heater

### Construction

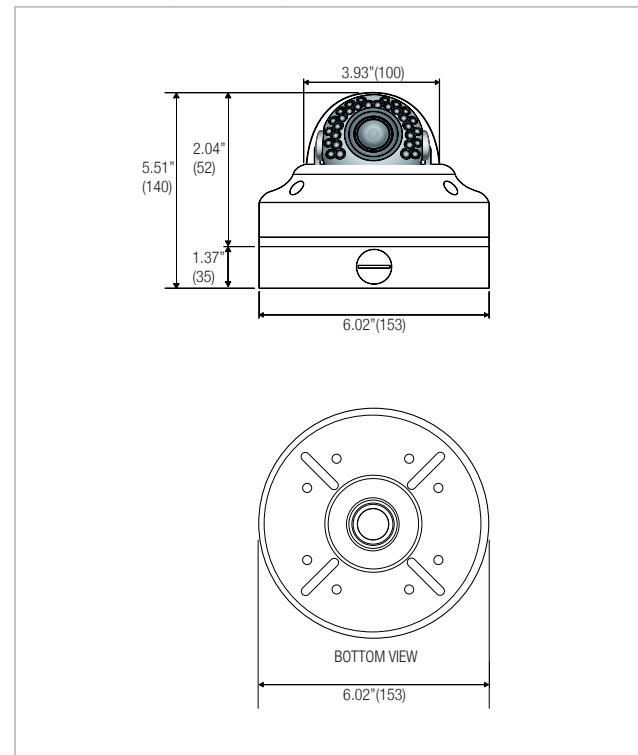
- Service Monitor Output - SD Analog(CVBS)
- External Lens Adjustments
- Outdoor / Metal Housing

### Technical Specification

Vandal Dome Camera	CT-2M-OV21-FH
Resolution	1080p over Coax
Image Sensor	1/3" CMOS
Day/Night Functionality	Yes w/ICR
Lens Type	2.8 ~ 12mm VF Lens
Angle of View	47.2°(W) ~ 5.8°(T)
IR LEDs	30
IR LEDs Distance	Up to 50ft.
Electronic Shutter	1/30 ~ 1/6000 Sec
Minimum Illumination	1.0 Lux (Color), 0.001 Lux (IR LEDs On)
Service Monitor Output	1.0 Vp-p Composite, 75 ohm
General Information	CT-2M-OV21-FH
Operating Temperature	0° F ~ 140° F
Operating Humidity	Within 80% RH
Power Consumption	14W / 1 Amp (LEDs On), 8W / 500mA (Camera Only)
Input Voltage	12VDC / 24VAC Dual Voltage

\*Specifications are subject to change without any prior notice.

### Dimensions (inch:mm)



CT-2M-OV21-FH